

QUESTIONS OR CONCERNS CONTACT CANARM AT:

1-800-265-1833 (English) 1-800-567-2513 (French)
Monday through Friday 8:00 AM to 5:00 PM E.S.T.



"INSTRUCTIONS PERTAINING TO RISK OF FIRE OR INJURY TO PERSONS"
"READ ALL INSTRUCTIONS"

"IMPORTANT SAFETY INSTRUCTIONS"

"SAVE THESE INSTRUCTIONS"

TOOLS AND MATERIALS REQUIRED:



Phillips Screwdriver



Wire Cutters



Pliers



Wrench

Wiring supplies as required by the Canadian Electrical Code and/or the Quebec Electrical code

SAFETY PRECAUTIONS:

1. TURN OFF ELECTRICAL POWER BEFORE STARTING INSTALLATION OF LIGHT FIXTURE.
 2. THIS PRODUCT MUST BE INSTALLED IN ACCORDANCE WITH THE APPLICABLE INSTALLATION CODE BY A PERSON FAMILIAR WITH THE CONSTRUCTION AND OPERATION OF THE PRODUCT AND THE HAZARDS INVOLVED.
 3. CONNECT THE GROUND WIRE (BARE COPPER OR GREEN) FROM YOUR FIXTURE TO THE GROUND WIRE (BARE COPPER OR GREEN) OR GROUND SCREW IN THE ELECTRICAL OUTLET BOX.
 4. CLEAN GLASS WITH WATER ONLY.
- NOTE: Product May Not Look Exactly As Shown In Figures.**

INSTALLATION:

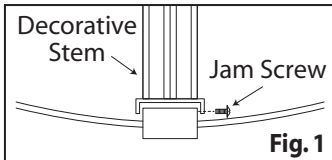


Fig. 1

For "Up light" installation:

1. Tighten the decorative stem into the fixture by the side jam screw. (Fig. 1)
2. Tighten the cover to the fixture by hex nut and finial. (Fig. 2)
3. Screw rod into the decorative stem. Screw firmly the canopy against rod. (Fig. 3)
4. Loosen "B". Adjust stud to desired length and lock in place with "B". Attach the mounting bracket to the outlet box using electrical box screws (not included). (Fig. 4)

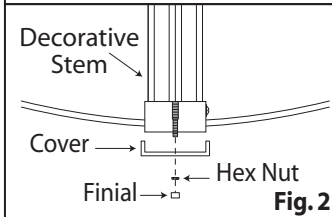


Fig. 2

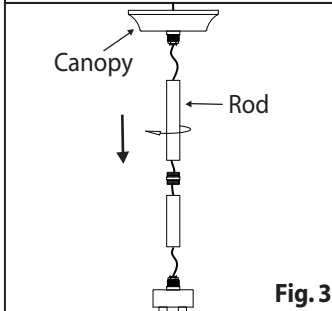


Fig. 3

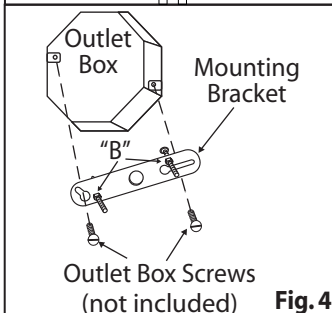


Fig. 4

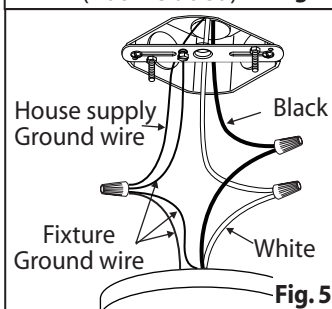


Fig. 5

5. Connect the ground wires (bare copper or green) from your fixture to the ground wire (bare copper or green) or ground screw in the electrical outlet box. Attach the black wire (or wire marked "SPT-1") from the light fixture to the black wire in the electrical box. Attach the white wire from the light fixture to the white wire in the electrical box. Once connections of wires are completed, carefully tuck wires and wire nuts into the outlet box making sure no bare wire (on the black and white) is visible at the wire nuts. (Fig. 5)

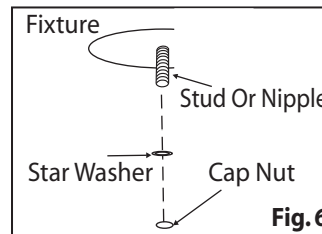


Fig. 6

6. Tuck electrical wires into outlet box and position fixture over studs or nipple on mounting bracket assembly. Secure fixture in place with star washer(s) and cap nut(s). (Fig. 6)

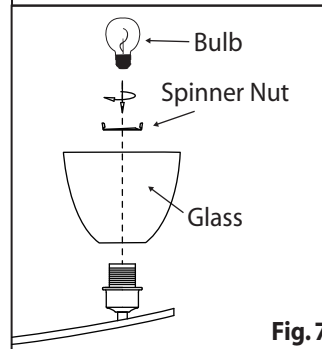


Fig. 7

7. Remove spinner nut from socket. Position glass on lamp and secure with spinner nut.
8. Install proper bulb type and wattage (not included).

For "Down light" installation:

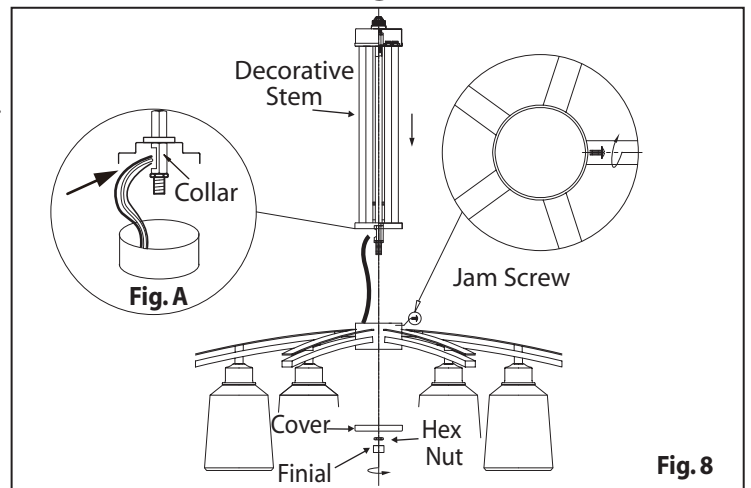


Fig. 8

9. Remove the wire and ground wire from decorative stem. Flip over light fixture. Route the wires and ground wire through decorative stem. Go to step 1 of the section "For up light installation" for further installation. (Fig. 8)